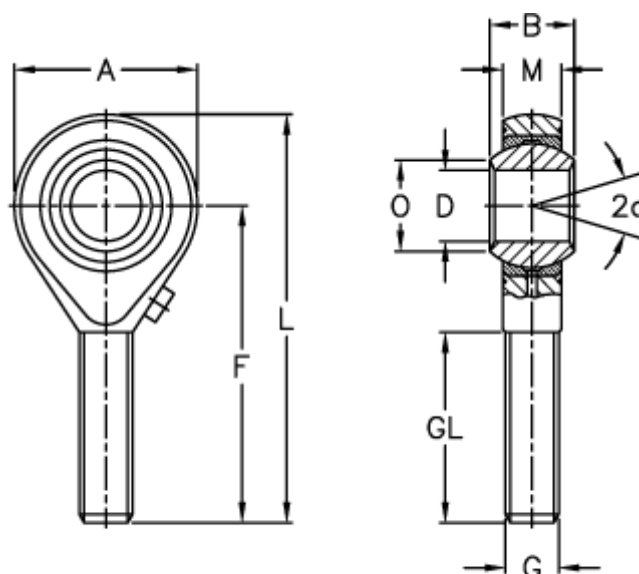


Article number: 03004050

Description: Fluro Rod End GAS 50
Zinc Plated

Measures



Str. 2-5 uden smørenippel

A	= 116	L	= 243
a (degrees)	= 14	M	= 45
B	= 60	O	= 55.9
D	= 50	Permissible rpm	= 230
Dynamic load C (kN)	= 185	Static load C0 (kN)	= 308
F	= 185	Weight (g)	= 4800
g	= M48x2		
GL	= 105		